



REVOLVERS

INSTRUCTION MANUAL

GENERAL SAFETY, OPERATING INSTRUCTIONS AND LIMITED WARRANTY

READ CAREFULLY BEFORE USING YOUR FIREARM

Important: Keep this manual with your firearm.

The information contained in this manual is useful, both for beginners and experienced shooters. In addition to important information about the function, cleaning and care of the firearm, this manual contains instructions that will be very helpful in shooting safely.

The most important rule of safe firearm handling is always keep the muzzle pointed in a safe direction!



REVOLVERS

RossiUSA.com

/RossiFirearms

@RossiUSA

/RossiUSA

- Available in .357 Magnum
- 6 rounds
- Fixed or fully adjustable sights
- Single action / Double action
- Hammer block safety

CONTENTS

Firearm Safety.....	6
Get To Know Your Revolver.....	12
Ammunition	16
Operating Instructions.....	20
Care and Maintenance.....	25
Exploded View.....	26
Rossi® Service.....	28
Limited Warranty	30




WARNING

The safety warnings in this booklet are important. By understanding the dangers inherent in the use of any firearm, and by taking the precautions described herein, you can safely enjoy your Rossi® firearm. Failure to follow any of these warnings may result in serious injury to you or others, as well as severe damage to the firearm or other property.

Intentionally left blank

NOTES

SIGNAL WORDS AS DEFINED BY ANSI Z535.6 AND Z5354 STANDARDS.

 DANGER	DANGER indicates a hazardous situation which, if not avoided, will result in death or serious injury.
 WARNING	WARNING indicates a hazardous situation which, if not avoided, could result in death or serious injury.
 CAUTION	CAUTION indicates a hazardous situation which, if not avoided, could result in minor or moderate injury.
NOTICE	NOTICE is used to address practices not related to physical injury.

DANGER

When a firearm discharges, the bullet or shot can strike a person, resulting in death or serious bodily injury.

The three basic keys to safe handling of firearms:

- 1. KEEP YOUR FINGER OFF THE TRIGGER UNTIL YOU ARE READY TO FIRE.** If you maintain good trigger discipline, it is extremely unlikely the firearm will fire.
- 2. KEEP THE MUZZLE POINTED IN A SAFE DIRECTION.** Even if the firearm discharges, if the muzzle is pointed in a safe direction, no one will be injured.
- 3. NEVER TRUST ANY SAFETY MECHANISM.** If you adopt the attitude that you will not trust any safety mechanism, you will be vigilant about keeping your finger off the trigger and keeping the muzzle pointed in a safe direction.

WARNING - KNOW YOUR TARGET

Never fire at targets at close range. Ricochets can and do cause death or serious bodily injury. What constitutes “close range” depends on many factors including target material, bullet caliber and angle of impact.

KNOW WHAT IS BEHIND YOUR TARGET. Unless you are shooting into a bullet trap designed to capture the type of ammunition you are firing, projectiles may pass through the target and strike anyone or anything beyond. Bullets can travel miles.

ALWAYS WEAR HEARING PROTECTION. Firearms are loud. The sound they generate is greater indoors. Repeated exposure to loud noises can cause deafness. Hearing protection is rated by decibel reduction. Look for “dB” reduction of 30 or more when purchasing ear protection. Modern ear protection can allow normal hearing until the sound from the discharge reaches the ear by layering hearing protection, for example, wearing 30db rated foam plugs inside of 20db rated ear muffs, significant protection can be achieved.

ALWAYS WEAR EYE PROTECTION. In normal operation, firearms emit hot high-velocity gases, particles and metal. These materials flying into your eye can cause blindness. Protect your vision with proper eye protection. Any eye protection may be better than none, but look for ANSI Z87.1-2003 certified eyewear for the best protection.

NEVER HANDLE FIREARMS WHILE UNDER THE INFLUENCE OF DRUGS OR ALCOHOL. Firearms are dangerous. Handling firearms while impaired by drugs or alcohol is foolhardy and may result in serious injury or death. This warning includes prescription drugs that contain a warning about using machinery or driving while taking the medication.

MODIFIED FIREARMS ARE DANGEROUS, AND USE CAN RESULT IN SERIOUS INJURY OR DEATH. “Trigger jobs,” polishing original components or installing aftermarket parts can cause a firearm to function in ways different than intended. Some such work may also be illegal.

DAMAGED FIREARMS ARE DANGEROUS, AND USE CAN RESULT IN SERIOUS INJURY OR DEATH. Repairs should always be made by a qualified gunsmith or by a factory-authorized repair site. Work done by those unfamiliar with the design can cause a firearm to function in ways different than intended.

NEVER ATTEMPT TO DISASSEMBLE OR CLEAN A LOADED FIREARM. DOING SO CAN RESULT IN SERIOUS BODILY INJURY OR DEATH. How often have we heard “But it went off while I was cleaning it!” or, “I did not know it was loaded!” or, “It was jammed, and I tried to take it apart!”?

IF A FIREARM GOES OFF, THERE WAS A ROUND OF AMMUNITION IN THE CHAMBER. Period. “Clear” (or empty) the firearm of all ammunition before disassembling or cleaning.

As owner of your new Rossi® firearm, you are responsible for (1) keeping your finger off the trigger, (2) always pointing the muzzle in a safe direction, (3) opening the cylinder by pressing the cylinder release and completely swinging out the cylinder, and (4) looking and feeling each chamber to confirm the revolver is empty.

FIREARM SAFETY SYSTEMS

Firearms safety is supported by a system. With your revolver, the system is made up of the following:

- 1. You!** Your involvement in safety cannot be overemphasized. No safety component can keep your finger off the trigger and the muzzle pointed in a safe direction. Also, you are the key to never trusting any of the mechanical parts of the safety system.
- 2. Revolver** Be sure the firearm is completely unloaded and contains no cartridges or cartridge cases. With the thumb of the right hand push the cylinder release forward. Then press on the cylinder to swing it to the left. Visually check that all six (6) chambers are empty.
- 3. Trigger Guard.** This is the physical obstruction that helps prevent unintended pressure of the trigger. Do not modify the trigger guard.
- 4. Hammer Block.** The hammer block interferes with the forward drop of the hammer until the trigger is pulled. By pulling the trigger, this safety component will move from its safe (blocking) position to its "fire" (free) position.
- 5. This Manual.** Braztech intends for you to use this manual to learn about your revolver and to help you use it safely. If you use this manual, you will be a long way toward being a knowledgeable and safe firearm owner.

PISTOL AND REVOLVER SIZE AND SAFETY

The selection of a revolver versus a pistol as well as the size, caliber and magazine capacity of a handgun are personal choices. There are many choices to be made, and there are advantages and disadvantages for each.

Generally speaking, smaller handguns may require more attention to be handled safely than medium or full-size handguns. This is because their small size makes it easier to point the muzzle at your hand or to "sweep" (swing the muzzle across your body) yourself or others in ordinary handling.

When loading the cylinder keep the muzzle pointed in a safe direction.

SAFE CARRY CONDITION

"Safe Carry Condition" is the most ready-to-fire condition that the user feels is reasonable under the circumstances.

Generally, we believe Rossi revolvers should be carried with an empty chamber under the hammer. Under most circumstances, this provides the best balance of readiness and safety.

"Safe Carry Condition" is a judgment call and must be made by the user. Some users routinely face greater threats than others. Users must be aware of their situation and circumstances. Errors in judgment can have dire and tragic outcomes if firearms are present.

CARRYING FIREARMS

Carrying a firearm can be dangerous and puts great responsibility on the person in possession of the firearm. Carrying or handling a firearm makes it more difficult to maintain control over the muzzle and makes it more likely that the firearm may be dropped or bumped, causing the firearm to fire. There are advantages and disadvantages to various methods of carrying any firearm. Educate yourself and choose which carry method is best for you and those around you.

In almost all circumstances, it is safest to carry a handgun in a holster designed for that specific handgun. Carrying a handgun in a pocket or in a waistband is always a last choice. Carrying any handgun in a holster that fits the firearm should prevent it from accidentally falling and you from losing control of the muzzle. Generally, we believe Rossi revolvers should be carried with an empty chamber under the hammer. Under most circumstances, this provides the best balance of readiness and safety.



WARNING - CARRYING

Do not carry your firearm in any way that might let it fall or be bumped. If a firearm falls or is bumped, it may fire.



WARNING - HANDLING

If the trigger is held to the rear, the gun can fire if the hammer strikes the firing pin. Note that it need not be any deliberate effort to pull the trigger. Any situation where the trigger attains its rearward position and permits the hammer block to be interposed between the hammer and the firing pin can cause the cartridge under the firing pin to discharge. **Never drop or strike the revolver, cocked or uncocked.** Carry and handle the revolver in such a manner that the hammer and trigger will not be struck.

NEVER CARRY ANY REVOLVER WITH THE HAMMER COCKED OR THE TRIGGER HELD TO THE REAR

FIREARM STORAGE AND GUN LOCKS

How you secure your firearms is a personal choice based on the unique circumstances in your home, business or vehicle and the laws of the state where your firearm is located. Any choice you make about securing your firearms will present advantages and disadvantages. You must weigh those advantages and disadvantages and choose which security method is best for you and those around you.



WARNING - LOCKING

Never lock a firearm with a round of ammunition under the hammer. Unlocking a loaded firearm makes it more difficult to maintain trigger discipline and to keep the muzzle pointed in a safe direction.



WARNING

Securing your firearm may inhibit access in a defensive situation and may result in injury or death.



WARNING

Failure to secure a firearm may result in injury or death. Properly securing a firearm means storing your firearm unloaded, decocked and securely locked, with all ammunition in a separate location.

GET TO KNOW YOUR REVOLVER



SPECIFICATIONS

Model	RM64	RM66	RP63
Caliber	.357 Magnum		
Action	DA / SA		
Capacity	6		
Barrel Length	4"	6"	3"
Overall Length	8.97"	10.95"	7.82"
Overall Height	5.47"	5.47"	4.6"
Overall Width	1.45"		
Weight	29.4 oz.	34.7 oz.	27.5 oz.
Sights (Front)	Fixed		
Sights (Rear)	Fully Adjustable		Fixed
Materials	Frame: Steel or Stainless Barrel: Steel or Stainless		
Safety Device	Hammer Block		
Finish	Satin		



WARNING - LOCKING DEVICES

- Always keep your firearm pointed in a safe direction, including when you are installing or removing your locking device.
- Always verify that your firearm is completely unloaded (see page 24) before installing your locking device.
- Do not install locking devices in the trigger guard; always keep your fingers and locking device outside the trigger guard during device installation and removal.
- Store firearms, ammunition and keys separately and securely, away from children and careless adults; do not store your firearm with the keys in the locking device.
- Do not attempt to work the action of your firearm with the locking device in place; this may damage your firearm.
- While locking devices are an important aid to security measures, they are not a substitute for safe firearm handling and proper storage. Remember that any mechanical device can be bypassed with enough time, knowledge, determination and equipment.

LOCKING DEVICES MUST BE USED SAFELY AND RESPONSIBLY

It is important to use the locking device on your Rossi firearm!

Keep the muzzle pointed in a safe direction and your fingers outside the trigger guard at all times during installation of the locking device!

To Install the Factory-Supplied Locking Device:

1. Be sure the firearm is completely unloaded and contains no cartridges or cartridge cases.
2. Depress cylinder release. Completely swing out the cylinder.
3. Feed the cable portion of the cable lock through the barrel (Figure 1).
4. To lock: With the key turned to the farthest clockwise position, insert the loose end of the cable into the lock. Turn the key counterclockwise and remove the key.
5. Once the lock is securely closed, pull firmly on the lock to test the connection and be sure it is locked. Do not leave or store your firearm with the key in the lock! Store your locked, unloaded firearm and the key in secure, separate locations, away from ammunition, children, and unauthorized adults.



WARNING

Never leave your keys in the lock when the lock is installed on the firearm.

 **WARNING**

Using the wrong ammunition in your revolver can result in serious bodily injury and damage to your revolver. Make certain the ammunition you load is the same caliber as is marked on the revolver.

 **WARNING - AMMUNITION AND INDUSTRY STANDARDS**

Use only clean, dry factory-loaded ammunition. Old, damaged, wet or oily ammunition may fire at pressures higher than industry standard, causing injury to you and bystanders or damage to your revolver.

Do not use reloaded ammunition in your revolver. Its firing pressures are unknown and may well exceed industry standard, causing injury to you and bystanders or damage to your revolver.

Odd sounds are signs of trouble. If a round “does not sound right” when it goes off, stop firing right away. A bullet may be stuck in the barrel. Firing the revolver in this condition may cause pressures higher than industry standard, causing injury to you and bystanders or damage to your revolver.

If you hear any odd sounds when firing your revolver, stop firing, and unload the revolver in accordance with the procedure in this manual. Once unloaded and all chambers are empty and clear, with the cylinder open, inspect the bore. If you don't see light, there is something stuck in the bore. Do not fire the revolver again and take the revolver to a qualified gunsmith or contact the Rossi® Service Department at 800-327-3776.

 **WARNING - LEAD AND HAZARDOUS CHEMICAL EXPOSURE**

Discharging firearms in poorly ventilated areas, handling, and /or cleaning firearms or handling ammunition can expose you to chemicals including lead which is known to the state of California to cause cancer and birth defects or other reproductive harm. For more information, go to www.P65Warnings.ca.gov

Have adequate ventilation at all times. Wash hands thoroughly after exposure with soap and water.

SHOOTING OR CLEANING GUNS MAY EXPOSE YOU TO LEAD

 **WARNING**

“+P” ammunition can be dangerous. There is a detailed discussion about “+P” and “+P+” ammunition on page 18 of this manual. Until you have read that information, do not fire any ammunition marked “+P” in your revolver.

 **WARNING**

Never fire ammunition marked “+P+” in your revolver. It does not comply with industry standards as to chamber pressures.

 **DANGER**

It is DANGEROUS to fire “+P+” ammunition in any Rossi® firearm, and doing so may result in serious bodily injury or death. The Sporting Arms and Ammunition Manufacturers Institute (SAAMI) does not recognize any “+P+” ammunition at all. These loads operate at unknown pressures.

There are only four calibers that can carry a “+P” rating from SAAMI. They are 38 Special +P, 9mm Luger +P, 38 Super Automatic and 45 Automatic +P. There are no other SAAMI approved “+P” loads. Any ammunition in any other caliber marked “+P” is not SAAMI compliant, may be dangerous and should not be used.

Only fire SAAMI rated Plus P (“+P”) ammunition in the Rossi® revolver models listed below. **Firing +P ammunition in other Rossi products may be dangerous and can result in serious bodily injury or death.**

RM64
RM66
RP63

NOTICE

Even if your Rossi® firearm is rated for Plus P (“+P”) ammunition, such ammunition generates pressures significantly in excess of the pressures associated with standard ammunition. Such pressures may affect the useful life of the firearm or exceed the margin of safety built into many firearms. Unless you need +P ammunition, do not use it, particularly for practice.

WARNING

You can use .38 Special ammunition in all Rossi® revolvers chambered for .357 Magnum. Attempting to substitute any other calibers can damage your firearm and may result in accidental death or serious injury.

FIREARMS ARE NOT ALL ALIKE

Many makes and models of firearms might LOOK nearly the same. However, they differ widely in design, operation, and in the location and function of various controls. You may access the Rossi website at RossiUSA.com to view and print manuals.



WARNING - ANY GUN MAY FIRE IF DROPPED

If dropped or struck, the revolver may fire. Keep the cylinder empty unless actually firing!



WARNING

If dropped or struck the firearm should be inspected by a trained armorer/gunsmith for a complete function check. After the firearm was dropped or struck, mechanisms, including the hammer block, may not function as intended resulting in accidental death or serious injury.

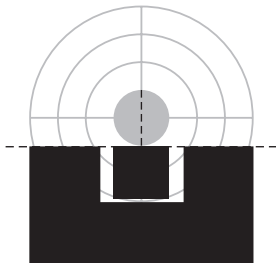
OPERATING INSTRUCTIONS

AIMING

Align the front and rear sights carefully. The top of the front sight must be level with the top of the rear sight and set in the middle of the rear sight notch. The bullseye should rest on the top of the sights.

SQUEEZE OF THE TRIGGER

Squeeze the trigger carefully with your index-finger, keeping the sight aligned with the target. If the trigger is jerked, the target will possibly be missed due to the movement of the gun. The pressure should be applied between the tip and the first joint of the finger. Press slowly and carefully. More speed will be gained with practice.



CAUTION

Spent cases will be hot and may have sharp edges. Exercise caution when removing the cases or injury may occur.

WARNING - FIRING



When firing any revolver be sure all persons are a safe distance to the rear of the shooter. When fired, all revolvers discharge hot gas and particles through the clearance gap between the cylinder and rear of the barrel during normal use.

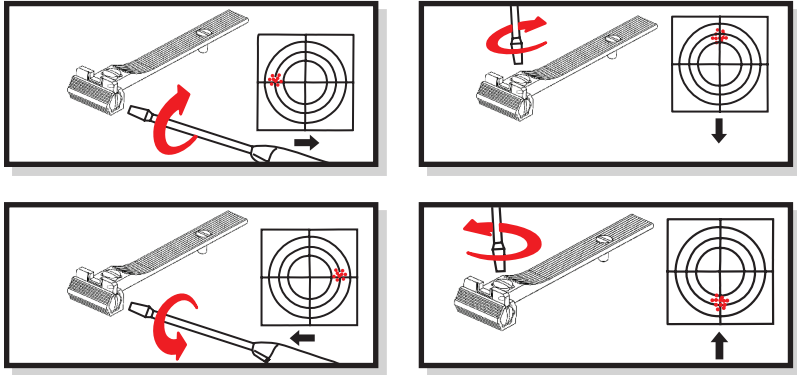
When firing any revolver, be certain that your hands, fingers, and any body parts are not in the path of hot gases and particles which are discharged from the front and sides of the cylinder.



HOT GASES EXIT BARREL/CYLINDER GAP

ADJUSTING THE SIGHTS

To raise the rear sight, turn the elevation adjusting screw counterclockwise. To lower the rear sight, turn the screw clockwise. The point of impact rises when the sight is raised. Lowering the sight, lowers the point of impact. The rear sight can also be adjusted for windage. Turn the windage adjusting screw clockwise to move the notch to the right side, and counter-clockwise to move the notch to the left side.



LOADING

Your Rossi revolver may be chambered for one of two different cartridges: .38 Special or .357 Magnum. The correct cartridge for use in your particular revolver is stamped on the under side of the barrel.

To load, point the muzzle in a safe direction and push forward on the cylinder release on the left side of the frame, while simultaneously pushing on the right side of the cylinder so that the cylinder swings open. Insert the cartridges in the cylinder. Then gently but firmly close the cylinder until it latches. Do not violently snap the cylinder open or closed, as this may damage the revolver.



WARNING

Never attempt to load or unload any firearm inside a vehicle, building or confined space. This is extremely dangerous. Do it safely - outside!

WARNING

Before loading, always clean all grease and oil from the bore and chambers, and check to be sure that no obstruction remains. Any foreign matter in the barrel or chambers could result in a bulged or burst barrel or cylinder and could cause serious injury to the shooter or others.

UNLOADING

To unload, open the cylinder as previously described on page 23. Elevate the muzzle. Then, with the cylinder fully open, push smartly in a rearward motion on the front of the extractor rod. This will extract all cartridges so that they will either drop out or can be pulled out with your fingers. **Always keep the muzzle in a safe direction when unloading.**



WARNING

Keep your finger off the trigger until you are ready to fire.

WARNING

Always be sure of your backstop! Make certain that your backstop is adequate to stop and contain your bullets. Remember, your bullet can carry for more than a mile.

WARNING

Never shoot at hard surfaces like rock, water or steel plates. The bullet could ricochet and travel in any direction to strike you or a person or object you cannot see, causing property damage or serious injury.

CARE AND MAINTENANCE

WARNING

Before cleaning, (1) keep the muzzle pointed in a safe direction, (2) keep your finger off the trigger, (3) depress the thumb piece and completely swing out the cylinder, (4) ensure the firearm is completely unloaded by looking and feeling each chamber.

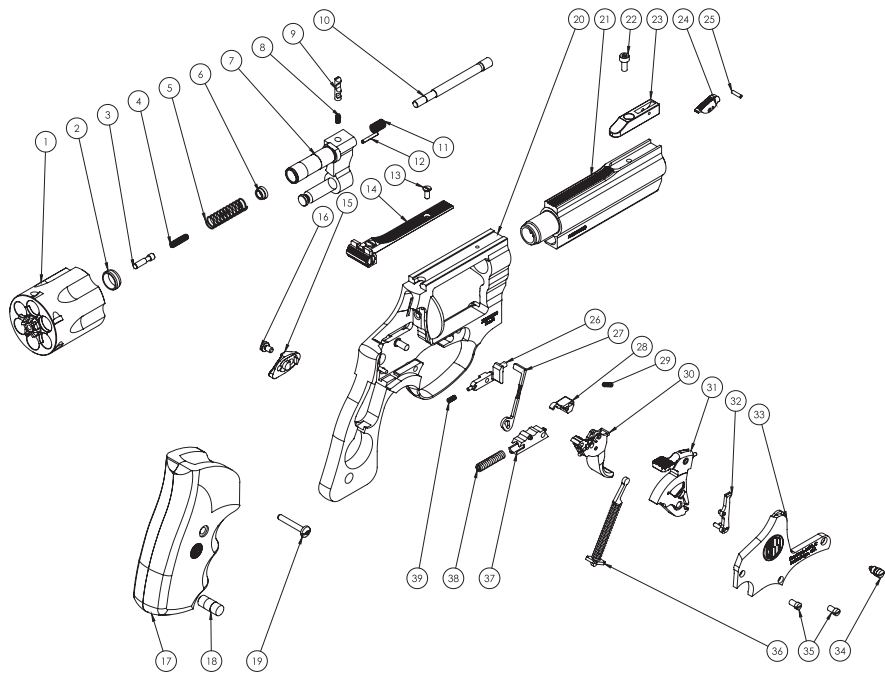
Your firearm may be cleaned and lubricated under normal conditions without any disassembly. For optimal performance, we recommend you clean and lubricate your firearm after every 200 rounds fired. At the same time, check for any loose screws or pins. Tighten the screws and press pins back in as needed.

To keep a firearm safe and in good working condition, it must be kept clean and covered with a light film of good quality gun oil to prevent corrosion. The barrel bore should be cleaned and left free of debris. Follow these steps:

- Remove excessive firing residue from the bore and chamber using a properly fitted brass brush dipped in a gun cleaning solvent. Finish the bore cleaning process by running a dry cotton cloth patch through the bore to remove any remaining residue and solvent.
- Clean the exterior of the firearm, using a non-abrasive cleaning cloth. Remove dust and residue from small crevices using a small brush.
- Lubricate any moving parts with a drop of oil
- After cleaning, rub the revolver with a lightly oiled cloth.

Please note that a firearm with laser should not be cleaned in a well or supersonic machine that submerges the firearm as this can damage the laser system.

EXPLODED VIEW



PART LIST

- | | | | |
|----|------------------------|----|----------------------|
| 1 | CYLINDER | 34 | YOKE SCREW ASSEMBLY |
| 2 | SPACER RING | 35 | SIDE PLATE SCREW |
| 3 | CENTER PIN | 36 | MAIN SPRING ASSEMBLY |
| 4 | CENTER PIN SPRING | 37 | REBOUND SLIDE |
| 5 | EXTRACTOR SPRING | 38 | REBOUND SLIDE SPRING |
| 6 | EXTRACTOR ROD COLLAR | 39 | BOLT SPRING |
| 7 | YOKE | | |
| 8 | FRONT LATCH SPRING | | |
| 9 | FRONT LATCH | | |
| 10 | EXTRACTOR ROD | | |
| 11 | EXTRACTOR ROD SPRING | | |
| 12 | FRONT LATCH PIN | | |
| 13 | REAR SIGHT SCREW | | |
| 14 | REAR SIGHT | | |
| 15 | CYLINDER RELEASE | | |
| 16 | CYLINDER RELEASE SCREW | | |
| 17 | GRIP | | |
| 18 | GRIP PIN | | |
| 19 | GRIP SCREW | | |
| 20 | FRAME | | |
| 21 | BARREL | | |
| 22 | FRONT SIGHT SCREW | | |
| 23 | FRONT SIGHT SUPPORT | | |
| 24 | FRONT SIGHT | | |
| 25 | FRONT SIGHT PIN | | |
| 26 | BOLT | | |
| 27 | HAMMER BLOCK | | |
| 28 | CYLINDER STOP | | |
| 29 | CYLINDER STOP SPRING | | |
| 30 | TRIGGER ASSEMBLY | | |
| 31 | HAMMER ASSEMBLY | | |
| 32 | HAND | | |
| 33 | SIDE PLATE | | |

ROSSI® SERVICE

All firearms require periodic maintenance and inspection which may reveal a need for adjustment or repair. Have your firearm checked by a qualified gunsmith, even if it seems to be working well, since breakage, improper functioning, undue wear, or corrosion of some components may not be apparent from external examination. If you notice ANY mechanical malfunction, STOP USING THE FIREARM. UNLOAD the firearm and take it to a qualified gunsmith immediately.

Our Service Department maintains a full complement of replacement parts for our firearms of current manufacture. Even though most gunsmiths have the knowledge, training and ability to make the necessary repairs to your firearm, the skill and workmanship of any particular gunsmith is totally beyond our control.

Should your firearm ever require service, we strongly recommend that you return it to Braztech. Follow the instructions outlined on the warranty card included with your firearm. Remember, unauthorized adjustments or parts replacement can void your warranty. It is the responsibility of the purchaser to be absolutely certain that any parts ordered from Braztech are of the correct type and are properly fitted and installed by a qualified gunsmith. **THIS FIREARM IS A PRECISION MECHANISM AND THE IMPROPER FITTING OF PARTS OR IMPROPER MECHANICAL ADJUSTMENT CAN RESULT IN A DANGEROUS MALFUNCTION, DAMAGE TO THE FIREARM, AND SERIOUS INJURY TO THE SHOOTER OR TO OTHERS.** Therefore, the purchaser and/or installer of parts must accept full responsibility for the correct adjustment of and function of the firearm after such installation has been made or attempted.

Intentionally left blank



ROSSI® LIMITED WARRANTY

Rossi® Revolver

Braztech International, L.C., the exclusive importer of Rossi-brand firearms into the U.S.A., hereby provides the following **ONE-YEAR LIMITED WARRANTY** to the original purchaser of the enclosed Rossi® revolver subject to the terms and conditions set forth below.

What does the warranty cover and what is its duration?

Braztech warrants to the original purchaser that the enclosed revolver was made free of defects in material, function, and workmanship. For one (1) year after the date of purchase, Braztech promises to remedy any defect in such material, function, or workmanship. Further, if Braztech cannot remedy any such defects after a reasonable number of attempts within the one (1) year period, Braztech will replace the revolver with an exact or comparable model. This Warranty terminates automatically upon the transfer of the revolver to any individual or entity other than the original purchaser.

Disclaimer and Limitation of Remedy.

ANY IMPLIED WARRANTIES OF MERCHANTABILITY IMPARTED BY STATE LAW WILL BE LIMITED TO ONE (1) YEAR. Some States do not allow limitations on how long an implied warranty lasts, so the above-limitation may not apply to you.

ANY AND ALL INCIDENTAL AND CONSEQUENTIAL DAMAGES ARE EXPRESSLY DISCLAIMED UNDER ALL CIRCUMSTANCES. Some States do not allow the exclusion or limitation of incidental or consequential damages, so the above limitation or exclusion may not apply to you. This **ONE-YEAR LIMITED WARRANTY** gives you specific legal rights, and you may also have other rights which vary from State to State. Braztech will not be responsible for:

- 1) Defects or malfunctions resulting from careless handling, unauthorized adjustments or modifications.
- 2) Use of defective or improper ammunition, reloaded ammunition, corrosion, neglect, abuse, ordinary wear and tear or unreasonable use.
- 3) Criminal misuse, negligence or use under the influence of drugs or alcohol.

How do you obtain warranty service?

You must contact Braztech to receive warranty service. You may contact Braztech by calling (800) 948-8029, or in writing: c/o Consumer Affairs Department, 100 Taurus Way, Bainbridge, Ga 39817. Please include a description of the claimed issue, along with your name, address, telephone number, model, serial number, proof of purchase, and date of purchase. **FIREARMS MUST BE SHIPPED UNLOADED.** Double check the chamber of your firearm before shipping. If firearms are sent to Braztech in a loaded condition, we are required by law to notify the Federal authorities. **DO NOT INCLUDE AMMUNITION** with your firearm. This is a violation of federal law. **DO NOT** include telescopic sights; custom grips, holsters, ammunition or other accessories with any firearm shipped to us.



IMPORTANT DO NOT DISCARD

**KEEP THIS MANUAL WITH THE FIREARM
UPON CHANGE OF OWNERSHIP.**

Braztech

100 Taurus Way
Bainbridge, GA 39817
Telephone: 1-229-210-2727
800-948-8029

ROSSIUSA.COM

045-0040-00 Rev 2

